

WIPERS

WIPERS SETS



Wiper has been developed for lens cleaning solutions of various cameras and optical systems. It is waterproof and suitable for marine applications. It has been designed and tested to work in harsh conditions.

FEATURES

- Rugged, lightweight and compact design.
- Programmable movement range.
- Programmable position.
- Independent structure.
- Strong structure for harsh conditions.
- Speed adjustment.
- Compatible with different optic systems.
- Low cost solution for lens cleaning.
- IP 67 protection class.
- Configuration and control panel.
- Possibility to read the total number of revolution
- Possibility to read instant temperature information.
- Low voltage and high current protection.
- Possibility to read the total number of laps.
- High temperature protection.
- Possibility of starting and ending angle adjustment.

A flexible cleaning angle is offered with the electronic system. Movement range, direction and position of the wipers can be programmed. With cylindrical design, it can be easily mounted.

Product Number BLDC	Product Number BLDC Motor Blade	Product Number BLDC Motor Blade
TS-AS-01-01	TS-AS-BLDC-0001	TS-AS-120-83-24
TS-AS-01-02	TS-AS-BLDC-0001	TS-AS-87-80-18
TS-AS-01-03	TS-AS-BLDC-0001	TS-AS-63-80-18
TS-AS-01-04	TS-AS-BLDC-0001	TS-AS-75-80-18
TS-AS-01-05	TS-AS-BLDC-0001	TS-AS-63-99.5-80
TS-AS-02-01	TS-AS-BLDC-0002	TS-AS-120-83-24
TS-AS-02-02	TS-AS-BLDC-0002	TS-AS-87-80-18
TS-AS-02-03	TS-AS-BLDC-0002	TS-AS-63-80-18
TS-AS-02-04	TS-AS-BLDC-0002	TS-AS-75-80-18
TS-AS-02-05	TS-AS-BLDC-0002	TS-AS-63-99.5-80
TS-AS-03-01	TS-AS-BLDC-0003	TS-AS-120-83-24
TS-AS-03-02	TS-AS-BLDC-0003	TS-AS-87-80-18
TS-AS-03-03	TS-AS-BLDC-0003	TS-AS-63-80-18
TS-AS-03-04	TS-AS-BLDC-0003	TS-AS-75-80-18
TS-AS-03-05	TS-AS-BLDC-0003	TS-AS-63-99.5-80



WIPERS

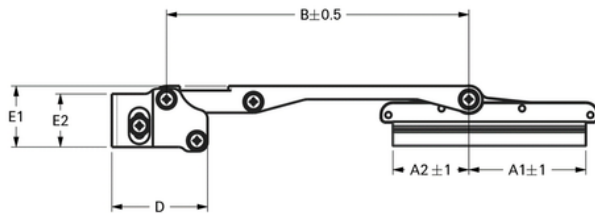
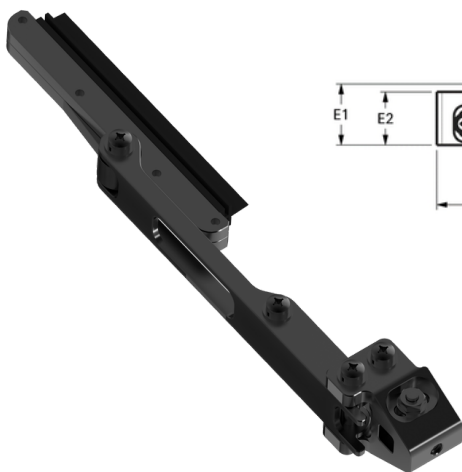
WIPERS MOTORS

Wiper motors can be purchased separately or as a set with blades.

Wiper motor types vary according to motor shaft dimensions.



Product Number	TS-AS-BLDC-0001	TS-AS-BLDC-0002	TS-AS-BLDC-0003
Weight	0.5 Kg	0.5 Kg	0.5 Kg
Speed (24VDC)	300°/s (± 50°/s)	300°/s (± 50°/s)	300°/s (± 50°/s)
Max. Rated Torque	0.35 Nm	0.35 Nm	0.35 Nm
Max. Wipe Angle	±175°	±175°	±175°
Input Voltage	18-32 V	18-32 V	18-32 V
Input Current	150 mA Average / 1.7 A Max.	150 mA Average / 1.7 A Max.	150 mA Average / 1.7 A Max.
Lifetime	10 Million Tours	10 Million Tours	10 Million Tours
Operating temperature	-32°C / +55°C	-32°C / +55°C	-32°C / +55°C
Storage Temperature	-40°C / +85°C	-40°C / +85°C	-40°C / +85°C
Protection / IP rating	IP 67	IP 67	IP 67
C1	18 mm	24 mm	30 mm
C2	10 mm	16 mm	32 mm
Connector	D38999/24KA35PN	D38999/24KA35PN	D38999/24KA35PN



WIPERS

WIPERS BLADES

Wiper motors can be purchased separately or as a set with blades.

Wiper motor types vary according to motor shaft dimensions.

Product Number	TS-AS-120-83-24	TS-AS-87-80-18	TS-AS-63-80-18	TS-AS-75-80-18	TS-AS-63-99.5-80
A1	60 mm	41 mm	38.5 mm	37.5 mm	38.5 mm
A2	60 mm	46 mm	25 mm	37.5 mm	25 mm
B	83 mm	80 mm	80 mm	80 mm	99.5 mm
D	24.5 mm	24.5 mm	24.5 mm	24.5 mm	31.5 mm
E1	19 mm	19 mm	19 mm	19 mm	20 mm
E2	14 mm	14 mm	14 mm	14 mm	14 mm